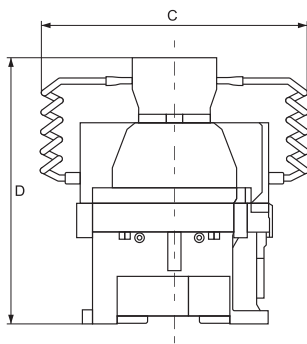
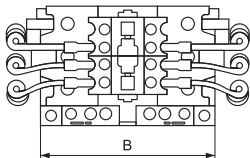
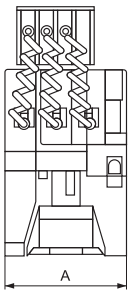
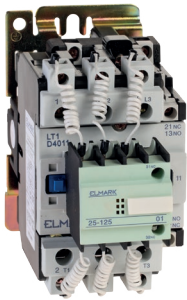


Low voltage contactors CJ19-43

Documents corresponding to the product:

Standard EN60947-1; EN 60947-4-1
The products are in accordance with the directives of EC "Low voltage directives (LVD) no. 2006/95/EC" and "Electromagnetic Compatibility Directives (EMC) no. 2004/108/EC"



Low voltage contactors for switching on of capacitor banks CJ19-43

5 YEAR WARRANTY *for industrial usage, 3 years warranty

The AC contactors CJ19-43 are specially designed electrical devices for commutation of three phase capacitors used for power correction. They are alternating current contactor LT1 Dxx with mounted a group for peak current lowering from the transitional process of the capacitor's switching on/off. This group is a combination of current limiting resistors, switched on in the beginning of the transitional process (switching on/off of the capacitor group). The contactors are suitable for capacitors with rate up to 50 kVAR.

Functions:

- switching on/off of capacitor banks for reactive power compensation
- making of systems for compensation of the energy reactive component
- lowering of the peak transitional currents at switching on/off of the capacitor
- remarkable with high reliability of current characteristics
- reliable separation of power contacts
- secured part of the contactor against consumer contact
- do not allow manual operation

Technical data:

- Operation class: utilization category AC6b
- Rated operating voltage of the controlling coil: 230V AC; 50/60Hz

- Rated operating voltage of the power circuit: up to 690V AC
- insulation voltage: 690V
- Surge voltage wear resistance: >8000V
- Limits of the controlling coil voltage: from 0.8 to 1.15 U_c
- Number of the contacts: 3 NO power contacts +1NO operative
- Joining terminal: screw terminal
- Connecting:
 - flexible conductors with or without cable terminal
 - rigid conductors
- Electrical wear resistance (number of cycles): ≥300000
- Mechanical wear resistance (number of cycles): ≥1000000
- Number of cycles (switching on) per hour: up to 600
- Pole leaking power: up to 13W

Mounting:

- on DIN-rail or
- with bolts to the surface
- mounting position: vertical gradient – maximum ± 5°
- Plastic: wear resistance of UV rays and non-flammable (self-extinguishing material)
- Ambient temperature: -10°C + 65°C
- Altitude: up to 2000m

Type	A	Overall dimensions (mm)		
		B	C	D
CJ19-32 DPK	56	74	130	150
CJ19-40 DPK	75	127	180	150
CJ19-65 DPK	85	127	200	157
CJ19-95 DPK	85	127	200	157
CJ19-115DPK	122	165	230	157
CJ19-150DPK	122	165	230	157
CJ19-170DPK	122	165	230	157

Type	Rated current (A)	Rated capacity of the consumer (kVA _r)		Coil voltage (V)	Packing/Box (pcs)	Catalogue number
		400/440V	690V			
CJ19-32 DPK	32	8	12.5	230	1/20	23932
CJ19-32 DPK	32	8	12.5	400	1/20	23910
CJ19-40 DPK	40	12.5	15	230	1/16	23900
CJ19-40 DPK	40	12.5	15	400	1/16	23940
CJ19-65 DPK	65	25	30	230	1/16	23961
CJ19-65 DPK	65	25	30	400	1/16	23965
CJ19-95 DPK	95	30	36	230	1/16	23909
CJ19-95 DPK	95	30	36	400	1/16	23995
CJ19-115 DPK	115	35	40	230	1/4	23991
CJ19-150 DPK	150	40	50	230	1/4	23992
CJ19-170 DPK	170	50	60	230	1/4	23993